



Dakota Granite Co.

14964 484th Ave., PO Box 1351

Milbank, SD 57252

Phone: (800) 843-3333 Fax: (800) 338-5346

www.dakotagranite.com

DAKOTA SPLIT FACE ASHLAR / FULL BED

Description: Split face ashlar / rock face.
Rock face, ends and back, smooth top and bottom.

Application: Installed as a brick, our ashlar products are excellent for interior or exterior wall coverings and water features. Ashlar is perfect for curbing and can be used for your most creative landscape ideas.

Dimensions: Length mill
Bed / Width 3-3/4"
Height 3", 4", 6", 8" (Others by request)

Tolerance: + or - 1/2"

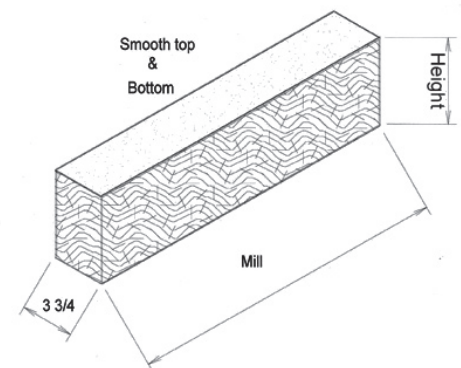
Coverage: Approximately 40 Sq. Ft. per ton (Allowing for 3/4" joints)

Colors: Brown / Red - Dakota Mahogany
Red / Orange - American Bouquet
Beige / Pink - Bellingham
(All colors sold as quarry run / full color range)

Packaging: Standard Packaging is two ton pallets, other upon request

Weight: 190 lbs. Cu. Ft.

Test Data:	Compressive Strength	22,500	PSI
	Modulus of Rupture	2,820	PSI
	Water Absorption	-106	Weight
		-288	Volume
	Flexural Strength	1,598	PSI



Comments:

- Natural materials will have variations in color and texture
- Split face ashlar can be supplied in various dimensions suitable for a large variety of applications including, but not limited to:
 - Landscape borders
 - Curbing
 - Retaining Walls
 - Security Bollards