



Dakota Granite Co.

14964 484th Ave., PO Box 1351

Milbank, SD 57252

Phone: (800) 843-3333 Fax: (800) 338-5346

www.dakotagranite.com

DAKOTA SILLS, CAPS, AND HEADERS

Description: Various Finishes with the Most Popular being Polished, Sanded or Rock

Application: Exterior or Interior Window Sills; Trim Pieces
Wall or Fountain Caps

Dimensions: Varies, Typical:
 Length 36", 48", 60"
 Width 8", 10", 12", 14"
 Height 2", 3", 4"

Tolerance: + or - 1/4"

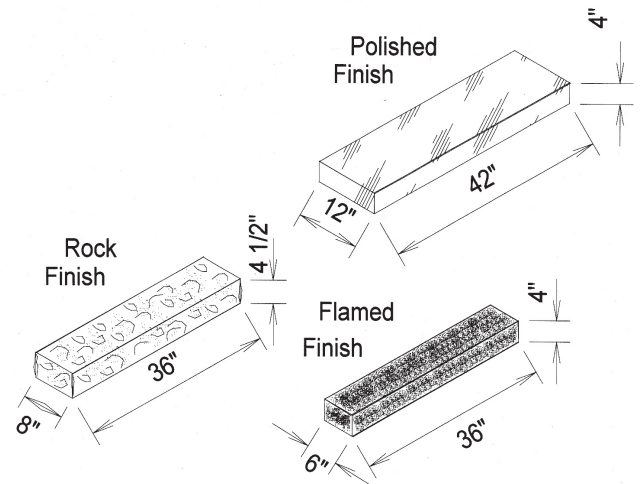
Coverage: N/A

Colors: Brown / Red - Dakota Mahogany
 Red / Orange - American Bouquet
 Beige / Pink - Bellingham
(All colors sold as quarry run / full color range)

Packaging: Each

Weight: 190 lbs per cubic foot

Test Data:	Compressive Strength	22,500	PSI
	Modulus of Rupture	2,820	PSI
	Water Absorption	-106	Weight
		-288	Volume
	Flexural Strength	1,598	PSI



Comments:

- Natural Materials will have Variations in Color and Texture
- Other Dimensions on Request
- Weight Per Running Foot of 12" Wide and 4" High = 63lbs
- Radiused Pieces Readily Available